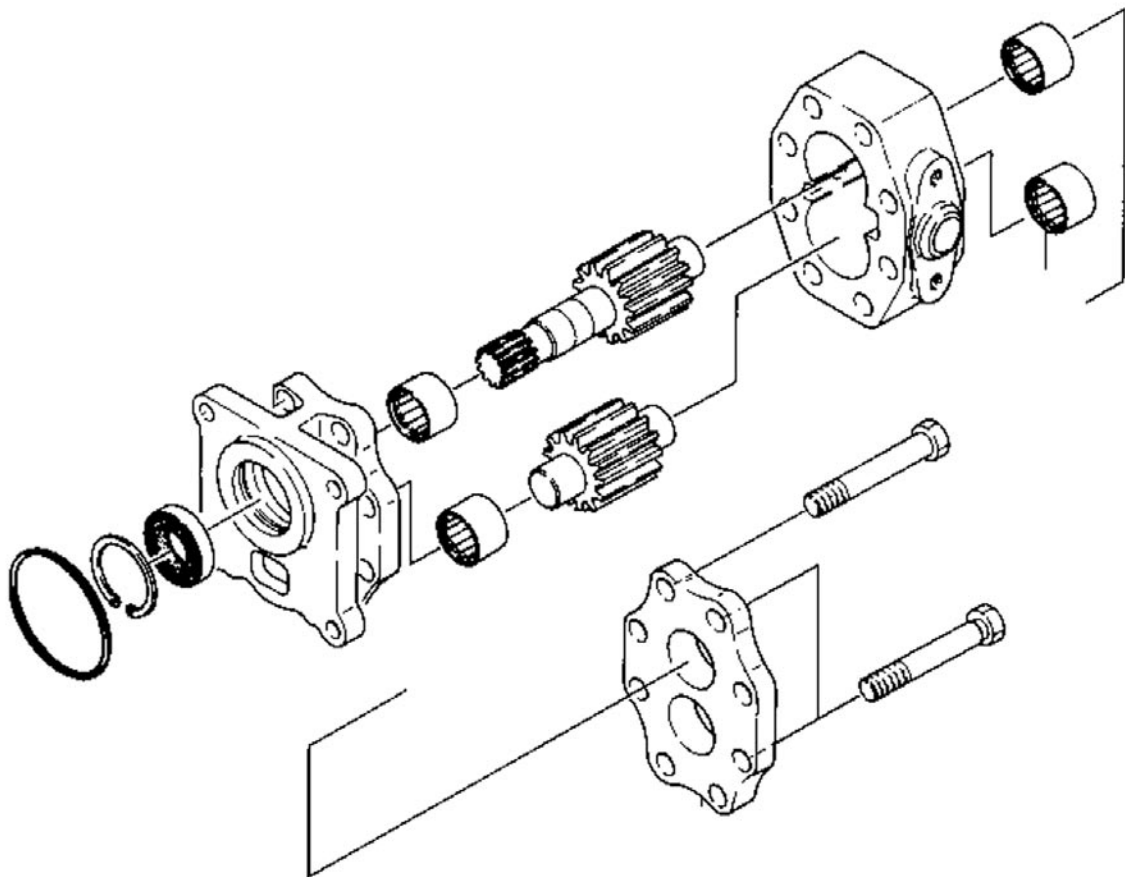


Schematic View



All manufacturers, number, symbols and descriptions are used for reference purpose only and it is not implied that any part listed is the product of these manufacturers. KOMATSU® is a registered trademark of KOMATSU Co. - CUMMINS® is a registered trademark of CUMMINS Co.



All manufacturers, number, symbols and descriptions are used for reference purpose only and it is not implied that any part listed is the product of these manufacturers. KOMATSU® is a registered trademark of KOMATSU Co. - CUMMINS® is a registered trademark of CUMMINS Co.

Machine						
W20-1						
Pump	Reference	Litres	Block 1	Block 2	Block 3	Block 4
Hydraulic	705-51-21000	-	705-11-30210	705-13-24830	-	-

Machine						
W30-1						
Pump	Reference	Litres	Block 1	Block 2	Block 3	Block 4
Hydraulic	705-51-21000	-	705-11-30210	705-13-24830	-	-

Machine						
W40-2						
Pump	Reference	Litres	Block 1	Block 2	Block 3	Block 4
Transmission	704-23-29201	-	-	-	-	-
Hydraulic	705-11-33100	-	-	-	-	-

Machine						
W60-1						
Pump	Reference	Litres	Block 1	Block 2	Block 3	Block 4
Transmission	704-23-29201	-	-	-	-	-
Hydraulic	704-11-34100	-	-	-	-	-

Machine						
W90-3						
Pump	Reference	Litres	Block 1	Block 2	Block 3	Block 4
Transmission	385-10079282	-	-	-	-	-
Steering	705-11-36100	-	-	-	-	-
Hydraulic	704-11-34100	-	-	-	-	-

Machine						
W120-3						
Pump	Reference	Litres	Block 1	Block 2	Block 3	Block 4
Double Trans.	385-10079282	-	-	-	-	-
Steering	705-11-36100	-	-	-	-	-
Hydraulic	704-11-34100	-	-	-	-	-



All manufacturers, number, symbols and descriptions are used for reference purpose only and it is not implied that any part listed is the product of these manufacturers. KOMATSU® is a registered trademark of KOMATSU Co. - CUMMINS® is a registered trademark of CUMMINS Co.

Machine						
W180-1						
Pump	Reference	Litres	Block 1	Block 2	Block 3	Block 4
Transmission	385-10205922	-	-	-	-	-
Steering	705-51-32020	-	-	-	-	-
Hydraulic	705-11-38000	-	-	-	-	-

Machine						
W260-1						
Pump	Reference	Litres	Block 1	Block 2	Block 3	Block 4
Transmission	705-11-40100	-	-	-	-	-
Steering	705-51-30010	-	705-11-40200	705-13-34520	-	-
Hydraulic	705-55-34000	-	705-11-40200	705-11-36520	-	-

Machine						
WA30-2						
Pump	Reference	Litres	Block 1	Block 2	Block 3	Block 4
Serial Number 1001-4101						
Transmission	362-15-00410	-	-	-	-	-
Steering	705-22-21010 ex705-12-21000	-	-	-	-	-
Hydraulic	705-55-34000	-	-	-	-	-
Serial Number 4102-UP						
Transmission	362-15-00410	-	-	-	-	-
Steering	705-22-21010 ex705-62-21000	-	-	-	-	-
Hydraulic	705-62-25010	-	-	-	-	-

Machine						
WA30-3						
Pump	Reference	Litres	Block 1	Block 2	Block 3	Block 4
Transmission	363-13-00021	-	-	-	-	-
Steer. & Hydr.	705-40-01010	-	-	-	-	-

Machine						
WA40-1						
Pump	Reference	Litres	Block 1	Block 2	Block 3	Block 4
Transmission	363-15-00090	-	-	-	-	-
Steering	705-62-22010	-	-	-	-	-
Hydraulic	705-11-28010	-	-	-	-	-

All manufacturers, number, symbols and descriptions are used for reference purpose only and it is not implied that any part listed is the product of these manufacturers. KOMATSU® is a registered trademark of KOMATSU Co. - CUMMINS® is a registered trademark of CUMMINS Co.

Machine						
WA40-2						
Pump	Reference	Litres	Block 1	Block 2	Block 3	Block 4
Transmission	363-13-00021	-	-	-	-	-
Steer. & Hydr.	705-40-01000	19	-	-	-	-

Machine						
WA50-1						
Pump	Reference	Litres	Block 1	Block 2	Block 3	Block 4
Transmission	705-40-01040	-	-	-	-	-
Steer. & Hydr.	705-11-26040	-	-	-	-	-

Machine						
WA70-1						
Pump	Reference	Litres	Block 1	Block 2	Block 3	Block 4
Hydraulic	705-51-11020	25+20	705-11-28230	705-11-26630	-	-

Machine						
WA100-1						
Pump	Reference	Litres	Block 1	Block 2	Block 3	Block 4
Transmission	705-73-29010	28	-	-	-	-
Emerg. Steer.	704-31-24110	16	-	-	-	-
Lift/Dump/Steer	705-11-33011	-	-	-	-	-

Machine						
WA120-1						
Pump	Reference	Litres	Block 1	Block 2	Block 3	Block 4
Transmission	705-73-29010	28	-	-	-	-
Emerg. Steer.	704-31-24110	16	-	-	-	-
Lift/Dump/Steer	705-11-34011	50	-	-	-	-

All manufacturers, number, symbols and descriptions are used for reference purpose only and it is not implied that any part listed is the product of these manufacturers. KOMATSU® is a registered trademark of KOMATSU Co. - CUMMINS® is a registered trademark of CUMMINS Co.

Machine						
WA150-1						
Pump	Reference	Litres	Block 1	Block 2	Block 3	Block 4
Serial Number 10001-19999						
Transmission	705-73-29010	28	-	-	-	-
Emerg. Steer.	704-31-24110	16	-	-	-	-
Lift/Dump/Steer	705-51-20170	32+25	705-11-30210	705-13-28530	-	-
Serial Number 20001-UP						
Transmission	705-73-29010	28	-	-	-	-
Emerg. Steer.	704-31-24110	16	-	-	-	-
Lift/Dump/Steer	705-51-20180	40+14	705-11-32210	705-13-23530	-	-

Machine						
WA180-1						
Pump	Reference	Litres	Block 1	Block 2	Block 3	Block 4
Transmission	705-73-29010	28	-	-	-	-
Emerg. Steer.	704-31-24110	16	-	-	-	-
Lift/Dump/Steer	705-51-20070	40+20	705-11-32210	705-13-26530	-	-

Machine						
WA200-1						
Pump	Reference	Litres	Block 1	Block 2	Block 3	Block 4
Serial Number 10001-19999						
Transmission	705-51-20170	32+25	705-11-30210	705-13-28530	-	-
Emerg. Steer.	704-30-29110	28	-	-	-	-
Lift/Dump/Steer	705-51-20150	32+32	705-11-30210	705-11-30530	-	-
Serial Number 20001-UP						
Transmission	705-51-20170	32-25	705-11-30210	705-13-28530	-	-
Emerg. Steer.	704-30-29110	28	-	-	-	-
Lift/Dump/Steer	705-51-20290 ex705-51-20090	50+16	705-11-34250 ex705-11-34210	705-13-24540 ex705-13-24530	-	-

Machine						
WA250-1						
Pump	Reference	Litres	Block 1	Block 2	Block 3	Block 4
Transmission	705-51-20170	32+25	705-11-30210	705-13-28530	-	-
Emerg. Steer.	704-30-29110	28	-	-	-	-
Lift/Dump/Steer	705-51-20300 ex705-51-20240	50+25	705-11-34250 ex705-11-34210	705-11-23530	-	-

All manufacturers, number, symbols and descriptions are used for reference purpose only and it is not implied that any part listed is the product of these manufacturers. KOMATSU® is a registered trademark of KOMATSU Co. - CUMMINS® is a registered trademark of CUMMINS Co.

Machine						
WA250-1KC						
Pump	Reference	Litres	Block 1	Block 2	Block 3	Block 4
Transmission	705-51-20170	32+25	705-11-30210	705-13-28530	-	-
Emerg. Steer.	704-30-29110	28	-	-	-	-
Lift/Dump/Steer	705-51-20300 ex705-51-20240	50+25	705-11-34250 ex705-11-34210	705-11-23530	-	-

Machine						
WA250-1H						
Pump	Reference	Litres	Block 1	Block 2	Block 3	Block 4
Transmission	705-51-20170	32+25	705-11-30210	705-13-28530	-	-
Emerg. Steer.	704-30-29110	28	-	-	-	-
Lift/Dump/Steer	705-51-20300 ex705-51-20240	50+25	705-11-34250 ex705-11-34210	705-11-23530	-	-

Machine						
WA270-3H						
Pump	Reference	Litres	Block 1	Block 2	Block 3	Block 4
Steering	42Y-15-HOS78	-	-	-	-	-
Hydraulic	42Y-62-H4250	-	-	-	-	-

Machine						
WA300-1						
Pump	Reference	Litres	Block 1	Block 2	Block 3	Block 4
Serial Number 10001-20398						
Transmission	705-51-20070	40+20	705-11-32210	705-13-26530	-	-
Emerg. Steer.	704-30-29110	28	-	-	-	-
Lift/Dump/Steer	705-51-22000 ex705-51-20140	-	705-11-34250 ex705-11-34210	705-11-32550 ex705-11-32530	-	-
Serial Number 20399-UP						
Transmission	705-51-20070	40+20	705-11-32210	705-13-26530	-	-
Emerg. Steer.	704-30-29110	28	-	-	-	-
Lift/Dump/Steer	705-51-22000 ex705-51-20280	-	705-11-34250 ex705-11-34240	705-11-32550 ex705-11-32540	-	-

All manufacturers, number, symbols and descriptions are used for reference purpose only and it is not implied that any part listed is the product of these manufacturers. KOMATSU® is a registered trademark of KOMATSU Co. - CUMMINS® is a registered trademark of CUMMINS Co.

Machine						
WA320-1						
Pump	Reference	Litres	Block 1	Block 2	Block 3	Block 4
Serial Number 10001-19999						
Transmission	705-51-20070	40+20	705-11-32210	705-13-26530	-	-
Emerg. Steer.	704-30-29110	28	-	-	-	-
Lift/Dump/Steer	705-51-22000 ex705-51-20140	-	705-11-34250 ex705-11-34210	705-11-32550 ex705-11-32530	-	-
Serial Number 20001-UP						
Transmission	705-51-20070	40+20	705-11-32210	705-13-26530	-	-
Emerg. Steer.	704-30-29110	28	-	-	-	-
Lift/Dump/Steer	705-51-32080	63+32	705-11-36250	705-13-30540	-	-

Machine						
WA320-3H						
Pump	Reference	Litres	Block 1	Block 2	Block 3	Block 4
Serial Number H20051-20215						
Transmission	705-51-20480	40+20	705-21-32060	705-21-26060	-	-
Steering	423-N24-H340	28	-	-	-	-
Lift/Dump/Steer	705-55-34160	-	705-11-37240	705-13-30340	705-33-30340	705-33-26540
Serial Number H20216-UP						
Transmission	705-51-20480	40+20	705-21-32060	705-21-26060	-	-
Steering	423-N24-H340	28	-	-	-	-
Lift/Dump/Steer	421-62-H2110	63+32	-	-	-	-

Machine						
WA350-1						
Pump	Reference	Litres	Block 1	Block 2	Block 3	Block 4
Transmission	705-11-35010	56	-	-	-	-
Lift/Dump/Steer	705-52-30080	80-50	705-12-38211 ex705-12-38210	705-14-34531 ex705-14-34530	-	-

All manufacturers, number, symbols and descriptions are used for reference purpose only and it is not implied that any part listed is the product of these manufacturers. KOMATSU® is a registered trademark of KOMATSU Co. - CUMMINS® is a registered trademark of CUMMINS Co.

							Machine
							WA380-1
Pump	Reference	Litres	Block 1	Block 2	Block 3	Block 4	
Serial Number 10001-19999							
Transmission	705-11-35010	56	705-21-32060	705-21-26060	-	-	
Emerg. Steer.	704-30-32110	40	-	-	-	-	
Lift/Dump/Steer	705-52-30220	80+56	705-12-38211 ex705-12-38210	705-12-35530	-	-	
Serial Number 20001-20063							
Transmission	705-11-35010	56	705-21-32060	705-21-26060	-	-	
Emerg. Steer.	704-30-32110	40	-	-	-	-	
Lift/Dump/Steer/Lever	705-56-34180 ex705-56-34090	80+56+ 36+12	705-12-38211 ex705-12-38210	705-12-35340 ex705-12-35330	705-34-31340 ex705-34-31330	705-34-22540 ex705-34-22530	
Serial Number 20001-20063							
Transmission	705-11-35010	56	-	-	-	-	
Emerg. Steer.	704-30-32110	40	-	-	-	-	
Lift/Dump/Steer/Lever	705-56-34180	80+56+ 36+12	705-12-38211	705-12-35340	705-34-31340	705-34-22540	

							Machine
							WA380-3H
Pump	Reference	Litres	Block 1	Block 2	Block 3	Block 4	
Serial Number H20051-20108							
Transmission	705-51-20440	45+20	705-21-33060	705-21-26060	-	-	
Steering	704-30-32110	40	-	-	-	-	
Lift/Dump/Steer/Lever	705-55-34181 ex705-55-34180	100+56+ 36+25	705-21-40020	705-13-34340	705-33-31340	705-33-28540	
Serial Number H20109 - H20206							
Transmission	705-51-20440	45+20	705-21-33060	705-21-26060	-	-	
Steering	423-N24-H340	-	-	-	-	-	
Lift/Dump/Steer/Lever	705-55-34181 ex705-55-34180	80+56+ 36+12	705-12-38211 ex705-12-38210	705-12-35340 ex705-12-35330	705-34-31340 ex705-34-31330	705-34-22540 ex705-34-22530	
Serial Number H20207 UP							
Transmission	705-51-20440	45+20	705-21-33060	705-21-26060	-	-	
Steering	423-N24-H340	-	-	-	-	-	
Lift/Dump/Steer/Lever	423-62-H4110	-	-	-	-	-	



All manufacturers, number, symbols and descriptions are used for reference purpose only and it is not implied that any part listed is the product of these manufacturers. KOMATSU® is a registered trademark of KOMATSU Co. - CUMMINS® is a registered trademark of CUMMINS Co.

Machine						
WA400-1						
Pump	Reference	Litres	Block 1	Block 2	Block 3	Block 4
Transmission	705-11-35010	56	705-11-30210	705-13-28530	-	-
Emerg. Steer.	704-30-34110	50	-	-	-	-
Lift/Dump/Steer	705-56-34240 ex705-56-34040	80+63+ 50	705-12-38211 ex705-12-38210	705-12-36330	705-14-34531 ex705-14-34530	-

Machine						
WA420-1						
Pump	Reference	Litres	Block 1	Block 2	Block 3	Block 4
Serial Number 10001-19999						
Transmission	705-11-35010	56			-	-
Emerg. Steer.	704-30-34110	50	-	-	-	-
Lift/Dump/Steer	705-56-34240 ex705-56-34040	80+63+ 50	705-12-38211 ex705-12-38210	705-12-36330	705-14-34531 ex705-14-34530	-
Serial Number 20001-UP						
Transmission	705-11-35010	56			-	-
Emerg. Steer.	704-30-32110	50	-	-	-	-
Lift/Dump/Steer	705-56-34100	63+32+ 50+12	705-12-38211	705-12-36340	705-34-34340	705-34-22540

Machine						
WA420-1H						
Pump	Reference	Litres	Block 1	Block 2	Block 3	Block 4
Transmission	705-11-35010 ex705-11-35090	56	-	-	-	-
Emerg. Steer.	704-30-34110	50	-	-	-	-
Lift/Dump/Steer	705-56-34100	80+63+ 50+12	705-12-38211	705-12-36340	705-34-34340	705-34-22540

All manufacturers, number, symbols and descriptions are used for reference purpose only and it is not implied that any part listed is the product of these manufacturers. KOMATSU® is a registered trademark of KOMATSU Co. - CUMMINS® is a registered trademark of CUMMINS Co.

Machine						
WA420-3H						
Pump	Reference	Litres	Block 1	Block 2	Block 3	Block 4
Serial Number H30051-30053						
Transmission	705-22-40070	100	-	-	-	-
Emerg. Steer.	704-30-34110	50	-	-	-	-
Lift/Dump/Steer	705-52-30360	56+45	705-12-35240	705-14-33540	-	-
Lift/Dump/Steer	705-52-30390	100+28	705-22-40090	705-34-29540	-	-
Serial Number H30054-30164						
Transmission	705-22-40070	100	705-21-33060	705-21-26060	-	-
Emerg. Steer.	421-N24-H450	-	-	-	-	-
Lift/Dump/Steer	705-52-30360	56+45	705-12-35240	705-14-33540	-	-
Lift/Dump/Steer	705-52-30390	100+28	705-22-40090	705-34-29540	-	-
Serial Number H30165-UP						
Transmission	705-22-40070	100	-	-	-	-
Emerg. Steer.	421-N24-H450	-	-	-	-	-
Lift/Dump/Steer	424-62-H4110	-	-	-	-	-
Lift/Dump/Steer	424-62-H4120	-	-	-	-	-

Machine						
WA450-1						
Pump	Reference	Litres	Block 1	Block 2	Block 3	Block 4
Serial Number 10001-19999						
Transmission	705-12-36010	63	-	-	-	-
Steering	705-12-37040 ex705-12-37010	71	-	-	-	-
Lift/Dump	705-52-20290 ex705-52-20100	50+16	705-12-34240 ex705-12-34210	705-14-24530	-	-
Serial Number 20001-20327						
Transmission	705-12-36010	63	-	-	-	-
Steering	705-12-40010	100	-	-	-	-
Hydraulic	705-14-41040 ex705-14-41010	112	-	-	-	-
Lift/Dump	705-52-20240 ex705-52-20190	50+20	705-12-34240 ex705-12-34210	705-14-26540 ex705-14-26530	-	-
Serial Number 20338-UP						
Transmission	705-12-36010	63	-	-	-	-
Steering	705-12-40010	100	-	-	-	-
Hydraulic	705-14-41040	112	-	-	-	-
Lift/Dump	705-52-20240	50+20	705-12-34240	705-14-26540	-	-

All manufacturers, number, symbols and descriptions are used for reference purpose only and it is not implied that any part listed is the product of these manufacturers. KOMATSU® is a registered trademark of KOMATSU Co. - CUMMINS® is a registered trademark of CUMMINS Co.

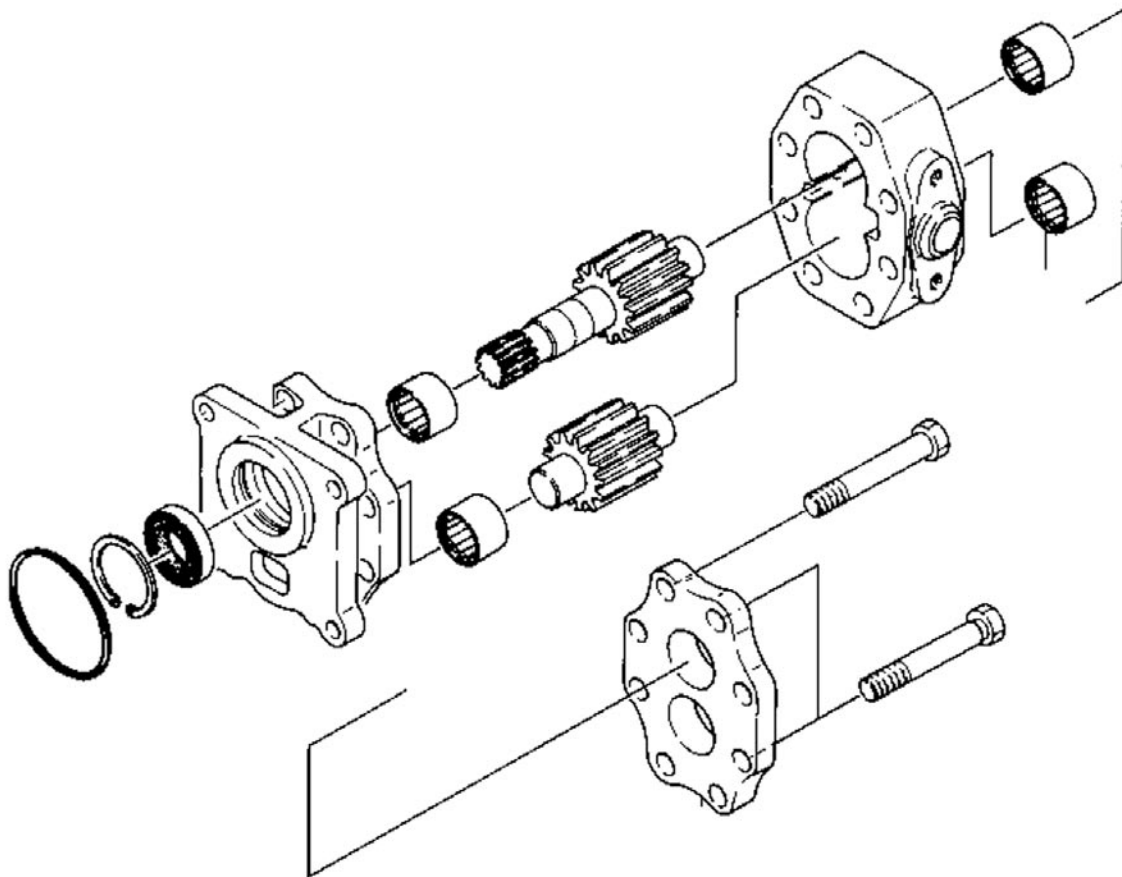
							Machine
							WA470-1
Pump	Reference	Litres	Block 1	Block 2	Block 3	Block 4	
Serial Number 10001-19999							
Transmission	705-12-36010	63	-	-	-	-	
Steering	705-12-37040 ex705-12-37010	71	-	-	-	-	
Hydraulic	705-14-41040 ex705-14-41010	112					
Lift/Dump	705-52-20290 ex705-52-20100	50+16	705-12-34240 ex705-12-34210	705-14-24530	-	-	
Serial Number 20001-20090							
Transmission	705-12-36010	63	-	-	-	-	
Emerg. Steer.	705-12-40010	100	-	-	-	-	
Hydraulic	705-14-41040 ex705-14-41010	112	-	-	-	-	
Lift/Dump	705-52-20240 ex705-52-20190	50+20	705-12-34240 ex705-12-34210	705-14-26540 ex705-14-26530	-	-	
Serial Number 20091-UP							
Transmission	705-12-36010	63	-	-	-	-	
Emerg. Steer.	705-12-40010	100	-	-	-	-	
Hydraulic	705-14-41040	112	-	-	-	-	
Lift/Dump	705-52-20240 ex705-52-20190	50+20	705-12-34240 ex705-12-34210	705-14-26540 ex705-14-26530	-	-	

All manufacturers, number, symbols and descriptions are used for reference purpose only and it is not implied that any part listed is the product of these manufacturers. KOMATSU® is a registered trademark of KOMATSU Co. - CUMMINS® is a registered trademark of CUMMINS Co.

Machine						
WA470-3H						
Pump	Reference	Litres	Block 1	Block 2	Block 3	Block 4
Serial Number H20051-H20148						
Transmission	705-22-40070	100	-	-	-	-
Steering	705-52-30280	71+50	705-12-37240	705-14-34531	-	-
Emerg. Steer.	421-N24-H450	112	-	-	-	-
Hydraulic	705-52-40130	140+28	705-36-43240	705-36-29540	-	-
Serial Number H20149-H20372						
Transmission	705-22-40070	100	-	-	-	-
Steering	421-62-H4130	-	-	-	-	-
Emerg. Steer.	421-N24-H450	-	-	-	-	-
Hydraulic	421-62-H4140	-	-	-	-	-
Serial Number H20373-UP						
Transmission	424-15-H1200	-	-	-	-	-
Steering	421-62-H4130	-	-	-	-	-
Emerg. Steer.	421-N24-H450	-	-	-	-	-
Hydraulic	421-62-H4140	-	-	-	-	-

Machine						
WA500-1						
Pump	Reference	Litres	Block 1	Block 2	Block 3	Block 4
Serial Number 10001-11307						
Transmission	705-12-38011 ex705-12-38010	80	-	-	-	-
Steering	705-52-30260 ex705-52-30130	80+14	705-34-38240 ex705-34-38210	705-34-23540 ex705-34-23530	-	-
Emerg. Steer.	704-30-36110	63	-	-	-	-
Lift/Dump/Lev	705-12-40010	100	-	-	-	-
Serial Number 11308-UP						
Transmission	705-12-38011 ex705-12-38010	80	-	-	-	-
Steering	705-52-30260 ex705-52-30130	80+14	705-34-38240 ex705-34-38210	705-34-23540 ex705-34-23530	-	-
Emerg. Steer.	704-30-36110	63	-	-	-	-
Lift/Dump/Lev	705-22-40110 ex705-12-40040	100	-	-	-	-

All manufacturers, number, symbols and descriptions are used for reference purpose only and it is not implied that any part listed is the product of these manufacturers. KOMATSU® is a registered trademark of KOMATSU Co. - CUMMINS® is a registered trademark of CUMMINS Co.



All manufacturers, number, symbols and descriptions are used for reference purpose only and it is not implied that any part listed is the product of these manufacturers. KOMATSU® is a registered trademark of KOMATSU Co. - CUMMINS® is a registered trademark of CUMMINS Co.

Machine						
WA500-3						
Pump	Reference	Litres	Block 1	Block 2	Block 3	Block 4
Transmission	705-12-38011 ex705-12-38010	80	-	-	-	-
Steering	705-12-38011	80	-	-	-	-
Emerg. Steer.	704-30-36110	63	-	-	-	-
Lift/Dump	705-22-44070 ex705-12-44040	160	-	-	-	-
Lever	705-52-30490	63+28	705-34-36240	705-34-29540	-	-

Machine						
WA600-3						
Pump	Reference	Litres	Block 1	Block 2	Block 3	Block 4
Serial Number 10001-10685						
Trans/Lubr/Lev	705-58-46001	125+100+ 100	705-14-42210	705-31-40330	705-12-40831	-
Emerg. Steer.	704-30-42110	125	-	-	-	-
Lift/Dump/ Steer/Lever	705-56-44010 ex705-56-44001	250+125+ 20	705-12-48211	705-36-42340 ex705-36-42330	705-36-26640 ex705-36-26630	-
Serial Number 10686-11096						
Trans/Lubr/Lev	705-58-46001	125+100+ 100	705-14-42210	705-31-40330	705-12-40831	-
Emerg. Steer.	704-30-42110	125	-	-	-	-
Lift/Dump/ Steer/Lever	705-56-44010	250+125+ 20	705-12-48240	705-36-42340	705-36-26640	-
Serial Number 11097-UP						
Trans/Lubr/Lev	705-58-46001	125+100+ 100	705-14-42210	705-31-40330	705-12-40831	-
Emerg. Steer.	704-30-42110	125	-	-	-	-
Lift/Dump/ Steer/Lever	705-58-47000	250+125+ 125+20	705-22-42030	705-14-42340	705-36-42340	705-36-26640

All manufacturers, number, symbols and descriptions are used for reference purpose only and it is not implied that any part listed is the product of these manufacturers. KOMATSU® is a registered trademark of KOMATSU Co. - CUMMINS® is a registered trademark of CUMMINS Co.

Machine						
WA700-1						
Pump	Reference	Litres	Block 1	Block 2	Block 3	Block 4
Trans/Lubr/Lev	705-56-43010	160+28+ 20	705-36-44210	705-36-29430	705-12-26530	-
Emerg. Steer.	704-30-42110	125	-	-	-	-
Hydraulic	708-25-03042	-	-	-	-	-
Lever	708-45-10204	-	-	-	-	-

Machine						
WA800-1						
Pump	Reference	Litres	Block 1	Block 2	Block 3	Block 4
Trans/Lubr/Lev	705-58-43010	112+100+ 32	705-32-41210	705-32-40330	705-34-30690 ex705-34-30630	-
Steering	708-45-10100	-	-	-	-	-
Emerg. Steer.	704-32-30000	125	-	-	-	-
Hydraulic	708-25-60100	-	-	-	-	-
Lever	708-45-10200	-	-	-	-	-